

ESSE

990CHQ

PRESSURISED SYSTEM WITH COOLING COIL

MAXIMUM BOILER PRESSURE IS 1 BAR COLD

**THIS SYSTEM IS NOT RECCOMENDED FOR INSTALLATION
WITH A BORE HOLE PUMPED WATER SUPPLY.**

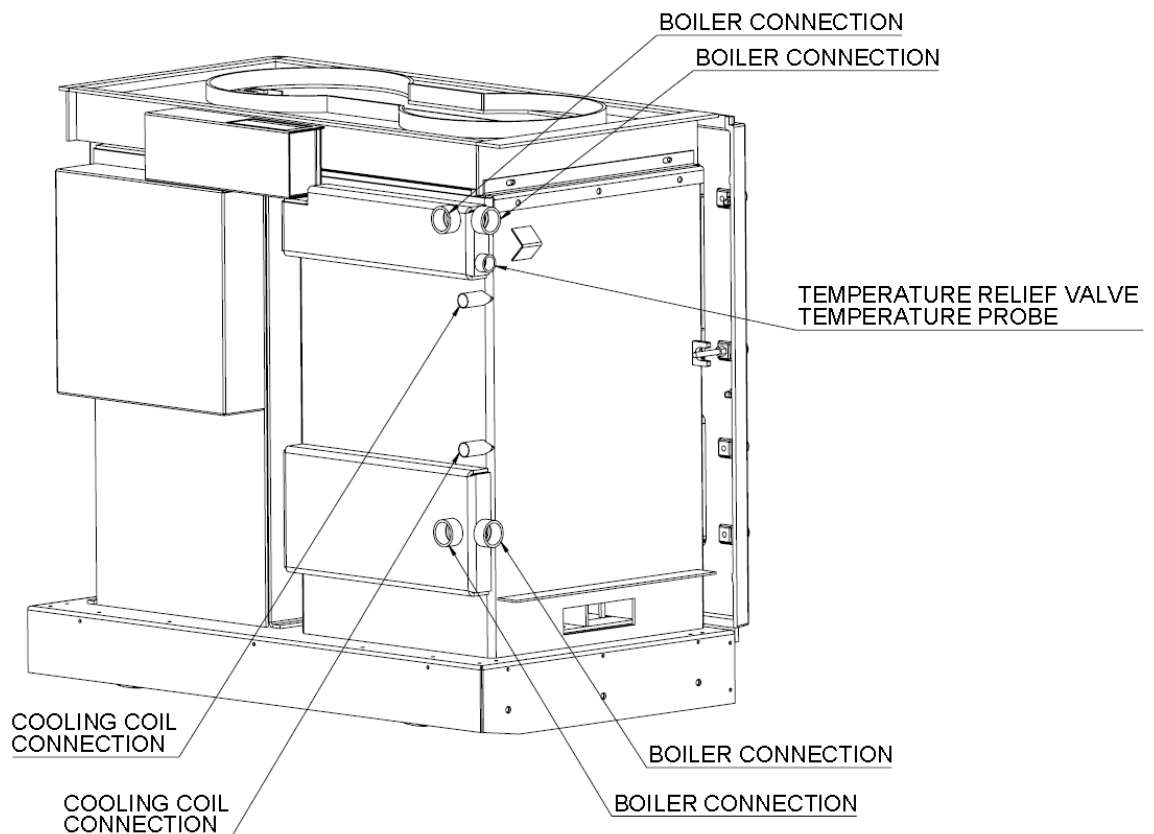


Fig. 1 Rear isometric view of the boiler (side panel, rear panel & top removed for better view)

Honeywell TS131 Temperature Relief Valve or equivalent to be connected to the Mains cold water in and the temperature probe to be fitted as indicted in Figure 1.

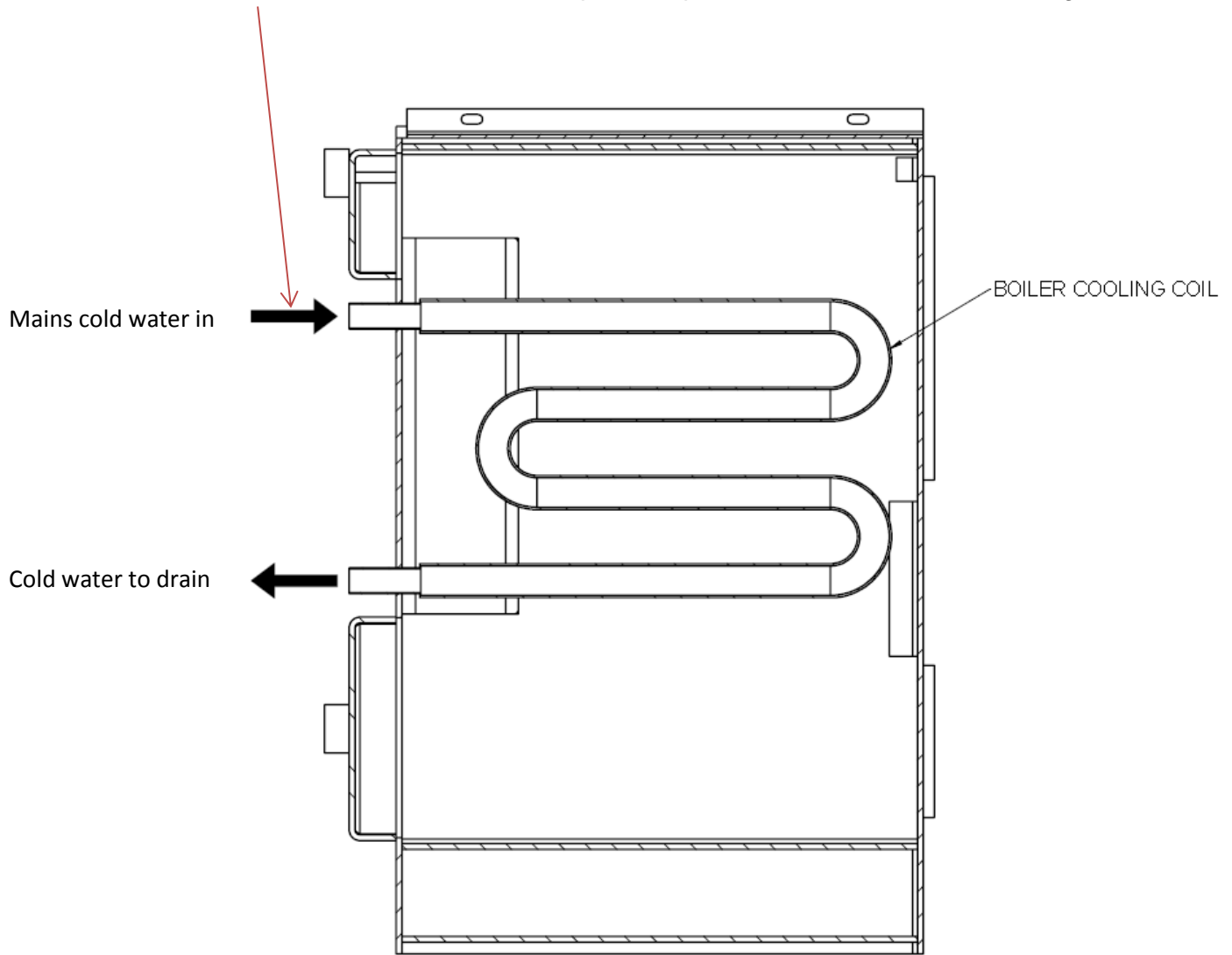


Fig. 2 Section through the boiler showing the cooling coil.