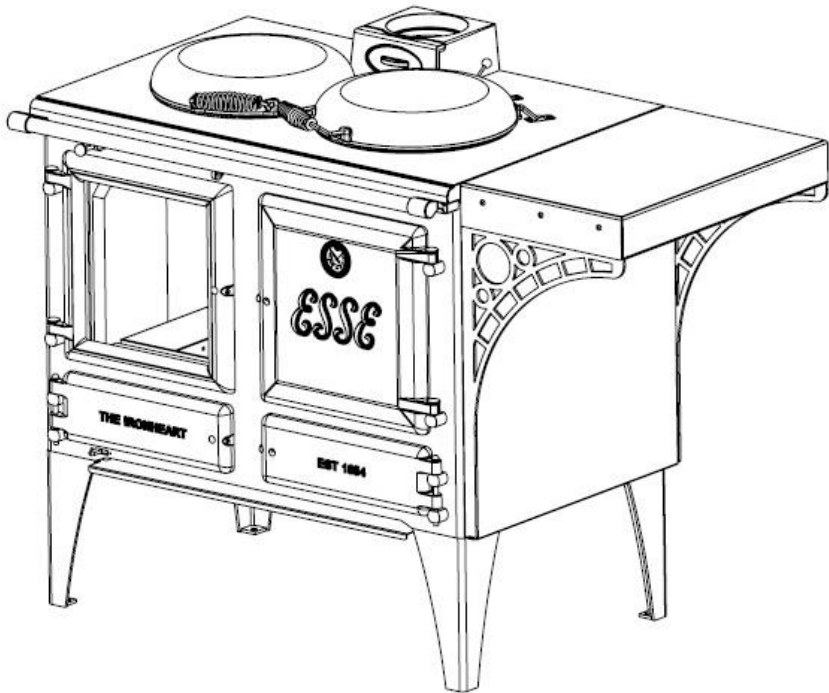


ESSE

Ironheart

Optional Hostess Shelf



The Ironheart hostess shelf is designed to fit on either the right hand side or left hand side of your Ironheart Cooker.



NOTE

The shelf cannot be fitted to the left hand side of a boiler model Ironheart.

The Hostess shelf can be fitted as a simple additional side shelf as shown in these instructions, or to fit a standard off the shelf domino hob.








WARNING

Do not attempt to fit this when the cooker is hot.

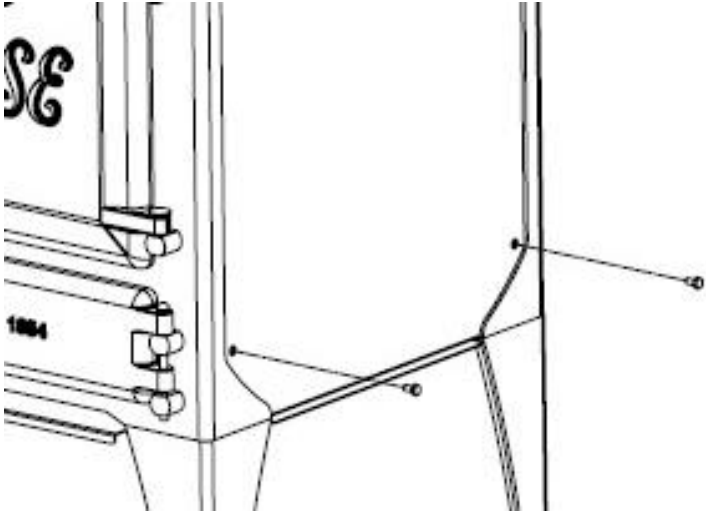
For this installation, you will require a 10mm spanner and a pozi-head screwdriver.

Parts contained in the kit:

Image	Part	Quantity
	Hostess Shelf Frame	1-off
	Bottom Cover Plate	1-off
	Stainless steel panel	1-off
	No 8X3/8" Pozi Flange Self tapping screws	5-off
	20mm Grommet	1-off

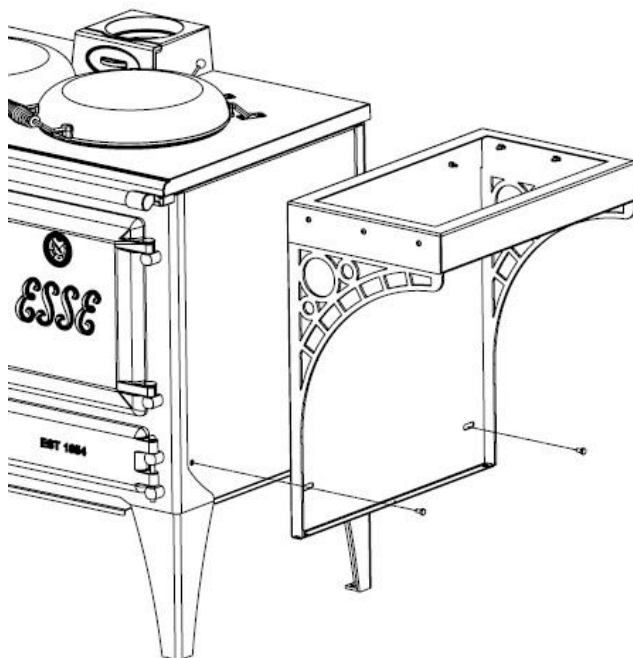
Installation instructions:

1)



Using a 10mm spanner remove the two screws located on the side panel of the cooker (Right hand installation shown). Keep these screws safe.

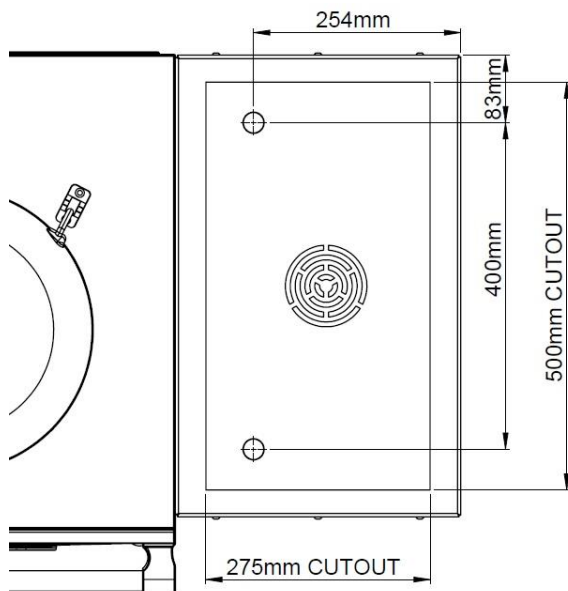
2)



Hook the Hostess Shelf Frame over the top of the side panel (in the gap between the cooker top and the side panel) and align so the back of the shelf is level with the back of the cooker top.

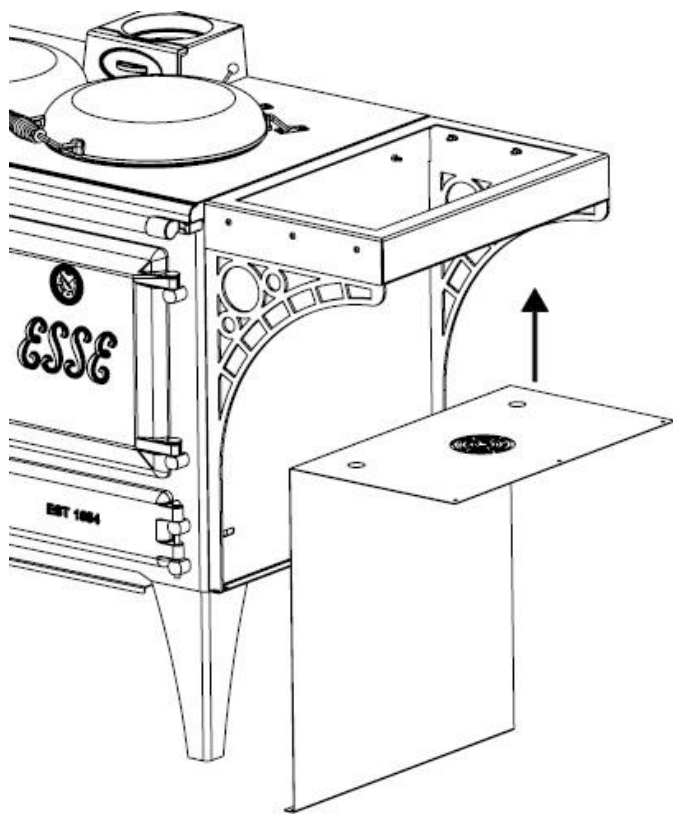
Re-insert the screws removed in stage 1.

3)



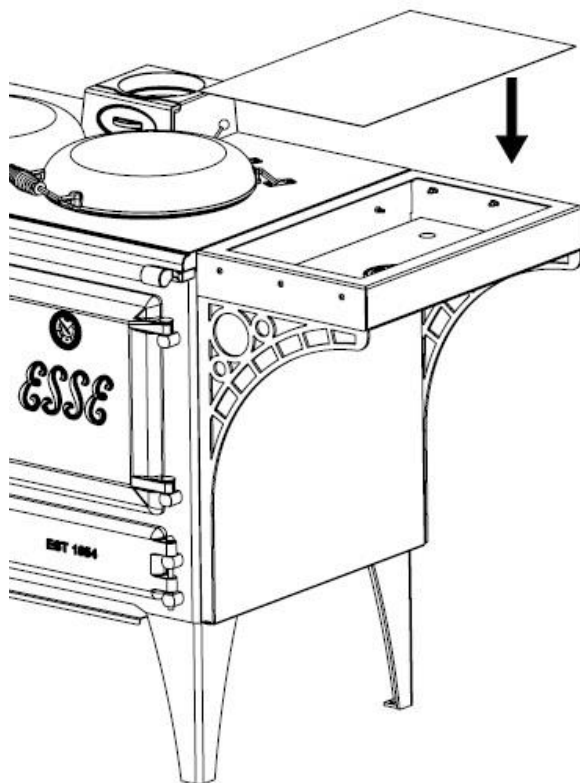
If you would like to install a domino hob, this is the stage that you would do this. The cut -out size in the shelf is 275mm x 500mm. There are knock panels in the bottom cover plate to allow cables or pipework. Use the grommet supplied in the knock outs when running cables or pipework. Use the instructions supplied with your chosen domino hob for installation information.

4)



Using a pozi-head screw driver fit the bottom cover plate with the 5 self tapping screws supplied.

5)



.The unit is supplied with a stainless steel panel for fitting when the unit is to be a Hostess shelf. The panel has double sided tap applied to the rear. Peel off the tapes protective strip and fit the shelf paying attention to insure the panel is central and level. Press down on the edges of the panel to ensure good adhesion. The stainless steels protective film can now be removed.



ESSE Engineering Limited, Ouzledale Foundry, Long Ing, Barnoldswick,
Lancashire

BB18 6BJ

Tel. 01282 813 235, **Fax:** 01282 816 876

Website and On-line Store <http://www.esse.com>