

ESSE'S ENERGY EFFICIENT

POWER SHARE

ENGINEERING

GIVES YOU POWER WHERE YOU NEED IT MOST AT ANY ONE TIME

RUN THIS COOKER FOR JUST £1 PER DAY

**NO FLUE NEEDED
SIMPLY PLUG IN & COOK**

With no flue to consider, the 990 EL can be positioned virtually anywhere

ESSE'S UNIQUE SURROUND HEAT CREATES

A MORE EVEN TEMPERATURE



PRODUCING

EVEN BETTER COOKING

OVENS ARE VENTED THROUGH AN ADJUSTABLE

OPEN & CLOSE

VENT TO ALLOW FOR WET OR DRY COOKING FOR SPONGES AND BREAD OR SUPER HOT ROASTS

TAKES MINUTES

TO HEAT UP (NOT HOURS!)

At ESSE we've been engineering beautiful range cookers for over 160 years. We've never stopped refining and improving our original recipe for success. So when you buy an ESSE today, you'll get a cooker that is an extraordinary combination of both tradition and innovation.

MASTER STOVE MAKER SINCE 1854

ESSE

Contact us

Got a question for us here at ESSE? Get in touch.

01282 813235
enquiries@esse.com
esse.com

ESSE Engineering Ltd.
Ouzledale Foundry
Long Ing
Barnoldswick BB18 6BJ

"ESSE" is a trade mark of ESSE Engineering Limited © 2017. All rights reserved. No part of this publication may be reproduced in any form or by any means without the prior written permission of ESSE Engineering Limited.

ESSE 990 EL

Electric 990mm wide range cooker with three ovens, cast iron hotplate, induction hob and grill.



OUR LATEST RANGE HAS EVERYTHING A PASSIONATE COOK COULD EVER NEED.



The 990 EL – Electric

Complete with three ovens, cast iron hotplate, induction hob and grill.

Electric – No flue needed, simply plug in and cook

ESSE direct home delivery service available

Optional ESSE extraction hood

Optional companion model

5YRS ESSE 5 Year Product Guarantee excluding consumables, subject to terms and conditions. Visit esse.com for more information.

This is the perfect choice for the larger kitchen, and for cooks who get their greatest satisfaction from feeding hungry hordes. Just like its smaller sibling, it offers the “best of both” – traditional cast iron solidity, combined with innovative electric flexibility.

With two independently controlled ovens, a full width integrated grill and a third oven set to 85°C, perfect for slow cooking and keeping dishes hot, this 990mm range cooker will never cramp your cooking style – whatever the recipe, however many you’ve invited.

The flat hob top is designed to unleash your creativity, too, with a cast iron hotplate for griddle cooking, as well as a large induction hob for instant boiling temperatures.

The controls for ovens and hobs are neatly housed behind the upper left door. And, of course, with no flue needed, your 990 EL can be positioned wherever you want, provided there’s a 2 x 13AMP power supply.

From melt-in-the-mouth meringues and slow-cooked stews to deliciously crispy roast potatoes, this cooker is a true all-rounder; an ESSE classic that’s ready to plug in and get to work in your kitchen.



1. Large easy to use dials. Illuminated displays glow red when rising to desired temperatures, green when temperature is reached and flashing red on cooling.

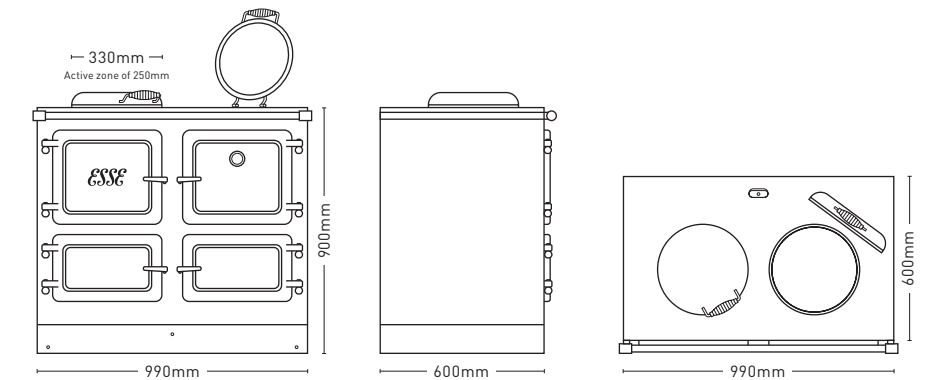
2. The grill is full width and radiant. Grill is set to 30 minutes. The LED will display red when activated and remain red for 30 minutes or until turned off.

3. The adjustable oven vent is flush fitted into the top casting and is easy to use. Allow for moisture controlled cooking, let moisture escape to dry out food and create crispy roast potatoes or crackling, retain humidity for moist baking or slow cooking.

4. Fast efficient induction cooking and traditional, direct to hotplate, griddle, cast iron cooking.

Cooker supplied with large roasting dish, ESSE apron, glove set and your copy of the ESSE Four Seasons Cook Book, a comprehensive user guide and a welcome pack to join the ESSE Owners Club.

990 EL measurements and technical specifications



MODEL INFORMATION

Weight	327kg
Electricity supply	2 x 13AMP 220-240V (Power surge protected)

OVEN CAPACITY

Top oven	42ltr
Lower right oven	30ltr
Lower left oven	30ltr

OPTIONAL EXTRACTION HOOD

Capacity 1000 cubic metres per hour
4 speed extraction fan
Removable washable filters

HEAT UP TIMES (FROM OFF)

Top oven to 240°C	41 mins
Lower right oven to 175°C	30 mins
Cast iron hotplate to 400°C	40 mins
Induction hob	Instant

HEAT UP TIMES (FROM SLUMBER SETTINGS)

Top oven from 155°C to 240°C	16 mins
Lower right oven 70°C to 175°C	14 mins
Cast iron plate from 150°C to 400°C	31 mins

You can add any of our companion products to the 990 EL for additional oven space. Visit esse.com for more information.

Elegantly engineered and vitreous enamelled



*Special colours are subject to an additional charge. **This is an alternative painted finish and is not enamel.

Due to the limitations of the printing process, it is not possible to replicate enamel colours exactly as shown in our printed material.