

Say hello to a new stove...



ESSE

...a new member of the iconic family



THE LADY WITH
THE
ESSE
**FLORENCE
NIGHTINGALE**
WAS SO PASSIONATE
ABOUT ESSE
STOVES
SHE WOULD USE
NO OTHER BRAND
AT HER HOSPITAL
IN BALACLAVA



1854

OR A COOKER THAT'S ALSO A STOVE?



2004

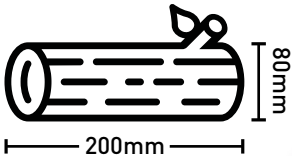
MASTER
STOVE
MAKER
SINCE 1854

ESSE

LIGHTHEART

Meet the

- 5" Flue
- Signature ESSE 'dog-bone' hotplate
- Simple geared air control
- Trademark ESSE heritage temperature gauge
- Generous 50ltr oven
- Spacious firebox for a mini cookstove



654mm

700mm

NEW

IS IT A STOVE THAT'S A COOKER?

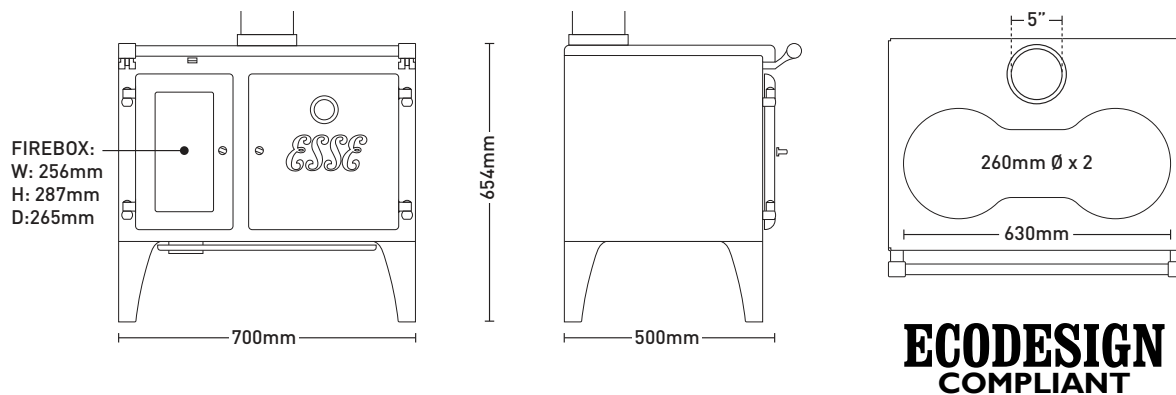
SPECIFICATIONS

Heat output	4.6kW
Efficiency	81.0%
Energy class	A+
Mean flue gas temp	213°C
Weight	140kg
Fuel	<20% moisture wood logs 200mm x 80mm 1.4kg per hour

Outside air compatible

EMISSION OF COMBUSTION PRODUCTS RELATED TO 13% O₂

CO:	0.08 vol%
NO _x :	116 mg/ø ³
C _x H _y :	70 mgC/mø ³
Dust:	29 mg/mø ³



DIMENSIONS

Width, height, depth	700mm, 654mm, 500mm
Flue diameter	5"
Oven	50 litres W: 320mm H: 432mm D:410mm
Firebox	19 litres W: 256mm H: 287mm D:265mm
Hotplate temperatures	Left Boiling Zone: 320°C Right Simmering Zone: 110°C
Hotplate boil test	2 litres in 10mins
Oven heat up times	180°C can be reached in approx 60mins from cold

CLEARANCES

Left side wall	500mm, with heat shield 250mm
Right side wall	50mm
Back wall	250mm, with heat shield and insulated flue 50mm
Front	1000mm
Floor in front of the appliance	500mm
The appliance must be placed on a non-combustible floor.	

BUY IT! £3,500_{RRP}

esse.com/dealer-locator